

Gate Valves with Socket Ends - Series 01

Socket valves enable a boltless valve/pipe connection, as the socket ends on the PVC-pipes fit into the sockets of the valves. The special rubber sealing rings in the valve sockets provide a tight connection. Socket valves are very suitable where tensile connections are unnecessary or where other techniques of anchoring are used.



Front Page



Products

- Water
- PVC pipes





Front Page



Products

- Water
- PVC pipes

Tender Text

Data Sheets



If a socket valve is to be replaced, the pipe is cut and reconnected to the new valve by means of a socket fitting.

If used for distribution of water containing ochre valves with internal enamel are recommended.

- GGG-50
- DN 40 - 400

Series 01/60:

With "Wavisafe" socket ends

Series 01/80:

With "Euro" socket ends



Description of series 01/60

Gate valve for water

Resilient seated gate valve.

With "Wavisafe" socket ends for PVC-pipes, PN 16.

Body and bonnet of GGG-50. DN 40 - 400.

Wedge of ductile iron with fixed wedge nut, fully vulcanized with EPDM rubber.

Stem of stainless steel 1.4021 with rolled threads and wedge stop ring. The stem sealing consists of a rubber manchette, 4 O-rings in a nylon bearing and a wiper ring. Bonnet gasket in groove between body and bonnet. Countersunk bonnet bolts encircled by the bonnet gasket and sealed with hot melt.

Epoxy coating to DIN 30677 - internally and externally.

Like AVK series 01/60 or approved equivalent.



Front Page



Products

- **Water**
- **PVC pipes**



Description of series 01/80 Gate valve for water

Resilient seated gate valve.

With "Euro" socket ends for PVC-pipes, PN 16.

Body and bonnet of GGG-50. DN 40 - 400.

Wedge of ductile iron with fixed wedge nut, fully vulcanized with EPDM rubber.

Stem of stainless steel 1.4021 with rolled thread and wedge stop ring.

The stem sealing consists of a rubber manchette, 4 O-rings in a nylon bearing and a wiper ring. Bonnet gasket in groove between body and bonnet. Countersunk bonnet bolts encircled by the bonnet gasket and sealed with hot melt.

Epoxy coating to DIN 30677 - internally and externally.

Like AVK series 01/80 or approved equivalent.



Front Page



Products

- **Water**
- **PVC pipes**



To DIN 3352 part 4 and BS 5163 Type A
With "Wavisafe" socket ends for PVC-pipes

Use:

For water, sewage and neutral liquids to max. 70°C

Tests:

Hydraulic test to DIN 3230 part 4:

Seat: PN
Body: 1.5 x PN
Operation torque test

Optional extras:

Handwheel
Extension spindle
Stem cap

Approvals:

KIWA - NL

Materials:

Body and bonnet	Ductile iron, GGG-50, to DIN 1693 (BS 2789 grade 500 - 7)
Coating *)	Electrostatically applied epoxy resin to DIN 30677 - internally and externally
Stem	Stainless steel, DIN X 20 Cr 13
Stem sealing	NBR wiper ring, 2 NBR O-rings inside and 2 outside a plastic bearing, EPDM rubber manchette
Wedge	Ductile iron, GGG-50, core fully vulcanised with EPDM rubber, with integral wedge nut of dezincification resistant brass, CZ 132 to BS 2874
Thrust collar	Dezincification resistant brass, CZ 132 to BS 2872
Bonnet bolts	Stainless steel A2, sealed with hot melt
Bonnet gasket	EPDM rubber
Sockets	Fitted with SBR rubber "Wavisafe" sealing rings to suit metric PVC-pipes

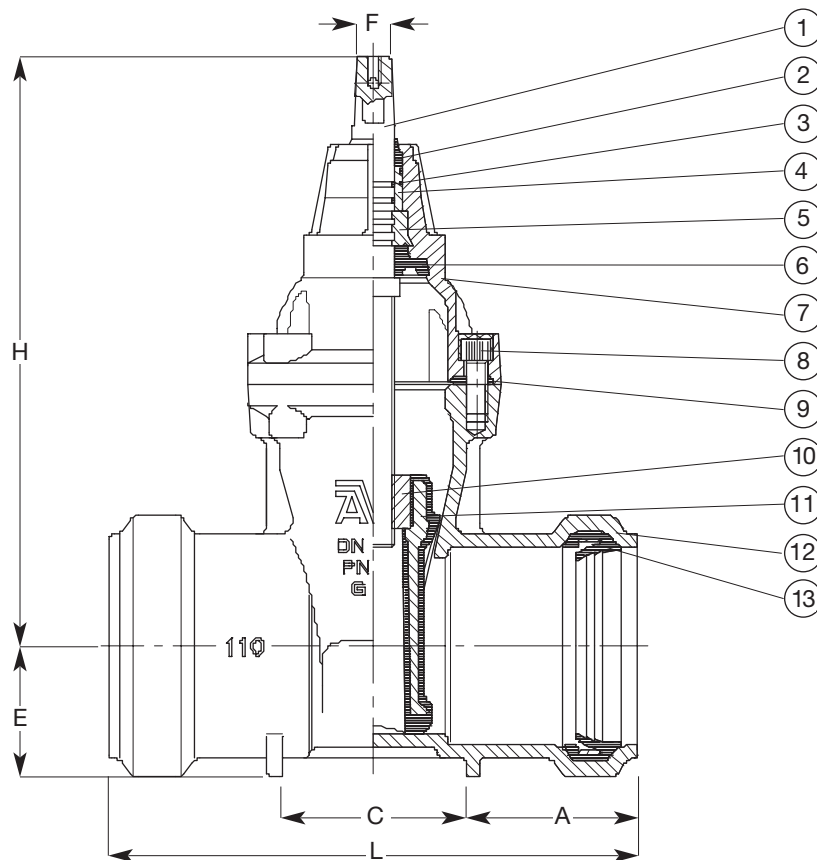
*) Also available internally enamelled



To DIN 3352 part 4 and BS 5163 Type A
 With "Wavisafe" socket ends for PVC-pipes

Component list

- | | |
|--------------------------|---------------------------------|
| 1. Stem | 8. Bonnet bolt |
| 2. NBR wiper ring | 9. Bonnet gasket |
| 3. NBR O-ring | 10. Wedge nut |
| 4. Bearing | 11. Wedge |
| 5. Thrust collar | 12. Body |
| 6. EPDM rubber manchette | 13. SBR "Wavisafe" sealing ring |
| 7. Bonnet | |



Ref.nos.	DN	Pipe D.ex. mm	A mm	L mm	H mm	F mm	C mm	E mm	Weight kilos
01-050-60014	40	50	88	240	236	14	64	40	7
01-063-60014	50	63	90	250	241	14	70	48	8
01-075-60014	65	75	98	270	271	17	74	55	9
01-090-60014	80	90	98	280	297	17	84	63	13
01-110-60014	100	110	98	300	334	19	104	74	18
01-125-60014	125	125	106	325	375	19	113	82	24
01-160-60014	150	160	110	350	448	19	130	103	34
01-200-60014	200	200	125	400	562	24	150	124	56
01-225-60014	200	225	125	400	562	24	150	138	58
01-250-60014	250	250	156	450	664	27	138	152	80
01-280-60014	250	280	151	450	664	27	148	169	123
01-315-60014	300	315	157	500	740	27	186	189	123
01-400-60014	400	400	195	600	950	32	210	237	236



To DIN 3352 part 4
With "Euro" socket ends for PVC-pipes

Use:

For water, sewage and neutral liquids to max. 70°C

Tests:

Hydraulic test to DIN 3230 part 4:
Seat: PN
Body: 1.5 X PN
Operation torque test

Optional extras:

Handwheel
Extension spindle
Stem cap
Support bush

Materials:

Body and bonnet	Ductile iron, GGG-50, to DIN 1693 (BS 2789 grade 500 - 7)
Coating *)	Electrostatically applied epoxy resin to DIN 30677 - internally and externally
Stem	Stainless steel, DIN X 20 Cr 13
Stem sealing	NBR wiper ring, 2 NBR O-rings inside and 2 outside a plastic bearing, EPDM rubber manchette
Wedge	Ductile iron, GGG-50, core fully vulcanised with EPDM rubber, with integral wedge nut of dezincification resistant brass, CZ 132 to BS 2874
Thrust collar	Dezincification resistant brass, CZ 132 to BS 2872
Bonnet bolts	Stainless steel A2, sealed with hot melt
Bonnet gasket	EPDM rubber
Sockets	Fitted with SBR rubber "Euro" sealing rings to suit metric PVC-pipes (To be ordered separately)

*) Also available internally enamelled



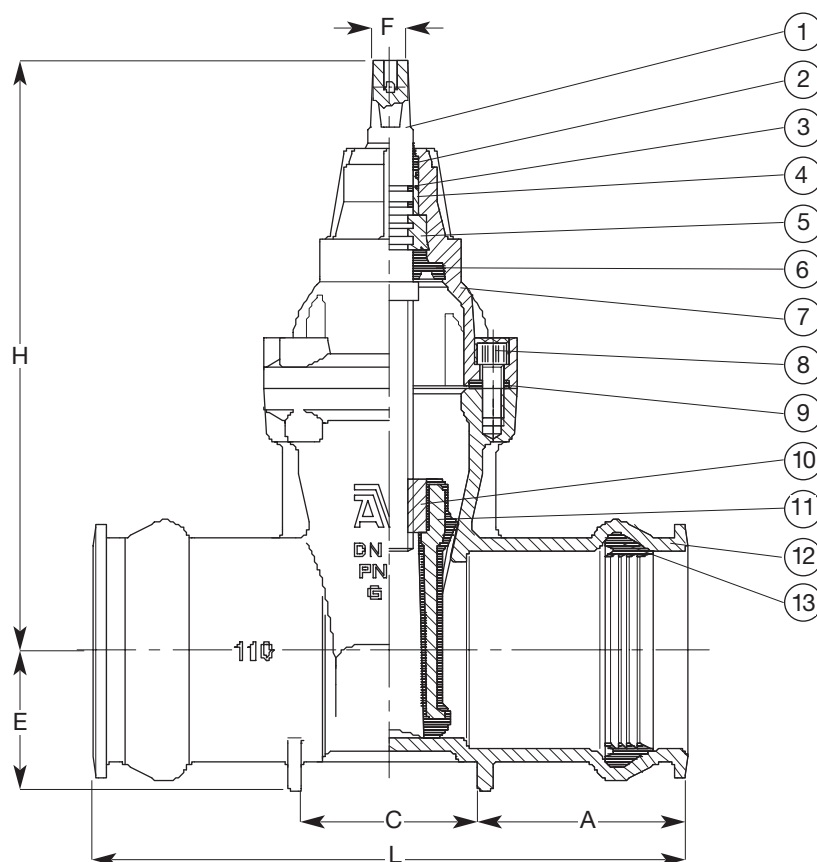
For further specification, see section "Technical information". The designs, materials and specifications shown are subject to change without notice due to our continuing programme of product development.



To DIN 3352 part 4
With "Euro" socket ends for PVC-pipes

Component list

- | | |
|--------------------------|--------------------------------|
| 1. Stem | 8. Bonnet bolt |
| 2. NBR wiper ring | 9. Bonnet gasket |
| 3. NBR O-ring | 10. Wedge nut |
| 4. Bearing | 11. Wedge |
| 5. Thrust collar | 12. Body |
| 6. EPDM rubber manchette | 13. SBR "Euro" Sealing ring *) |
| 7. Bonnet | |



Ref.nos. *)	DN	Pipe D.ex. mm	A mm	L mm	H mm	F mm	C mm	E mm	Weight kilos
01-050-80014	40	50	103	270	236	14	64	44	7
01-063-80014**)	50	63	103	286	241	14	80	52	8
01-075-80014**)	65	75	108	298	271	17	82	58	9
01-090-80014**)	80	90	115	315	297	17	85	68	13
01-110-80014	100	110	118	338	334	19	100	79	18
01-125-80014	125	125	115	348	375	19	118	87	24
01-160-80014	150	160	130	400	448	19	140	107	40
01-200-80014	200	200	135	426	562	24	156	130	56
01-225-80014	200	225	151	452	562	24	150	142	58
01-250-80014	250	250	161	474	664	27	152	157	80
01-280-80014	250	280	166	504	664	27	172	174	95
01-315-80014	300	315	172	548	740	27	204	193	123
01-400-80014	400	400	185	596	950	32	226	240	246

*) Sealing rings for the sockets to be ordered separately
**) Socket modified

